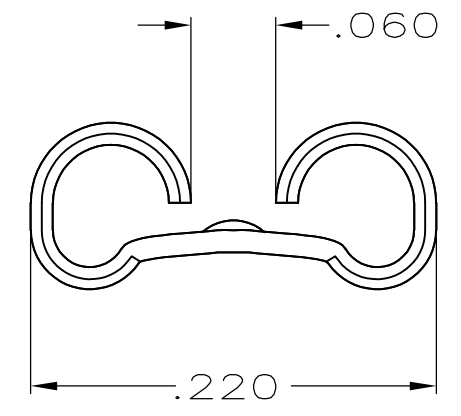
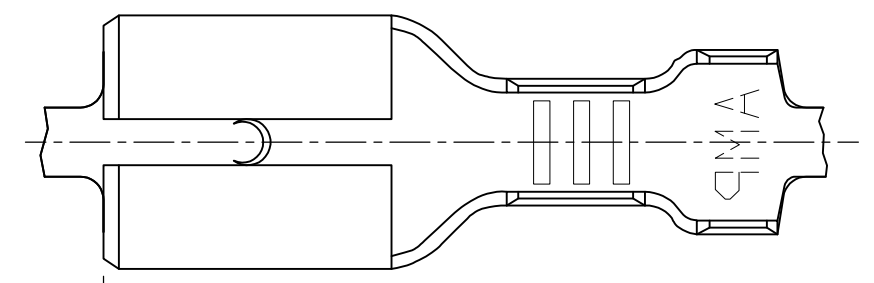


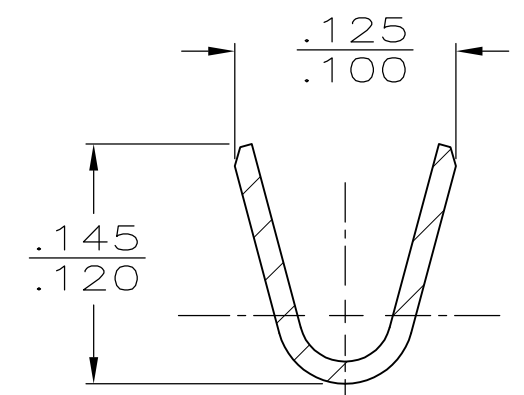
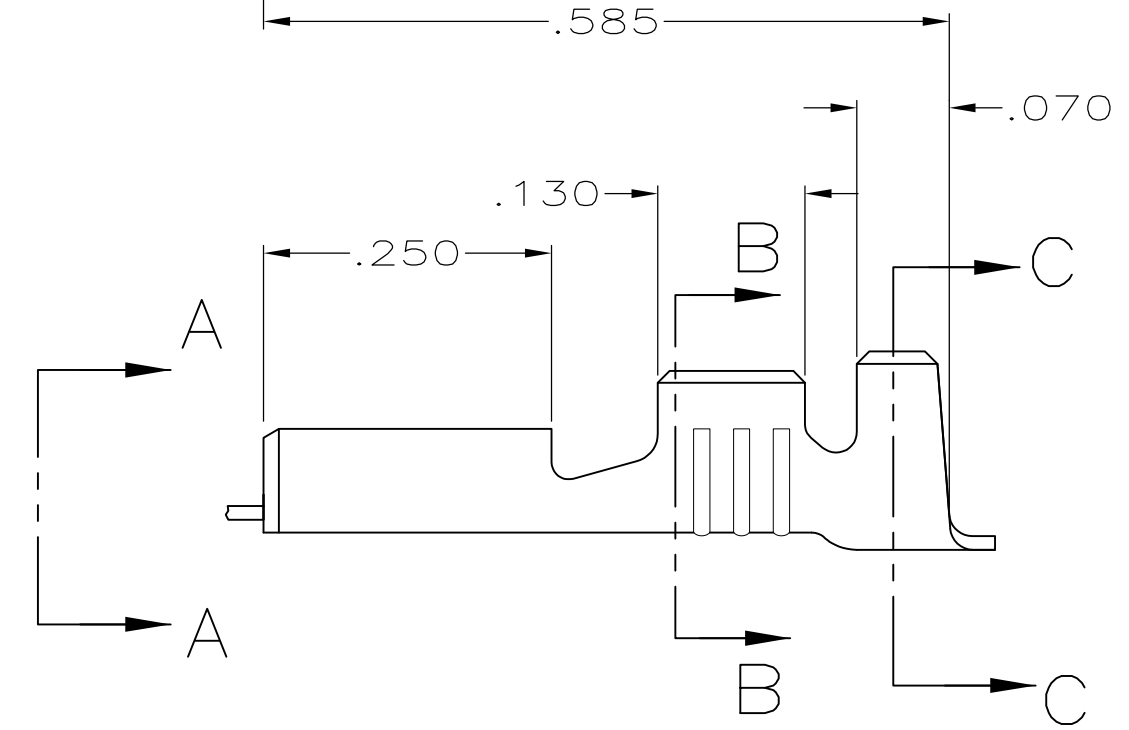
THIS DRAWING IS UNPUBLISHED. RELEASED FOR PUBLICATION
 © COPYRIGHT - By - ALL RIGHTS RESERVED.

LOC	DIST	REVISIONS			
P	LTR	DESCRIPTION	DATE	DWN	APVD
AF	50	Y2	REVISED PER ECR-15-010442	14JULY2015	PK TD

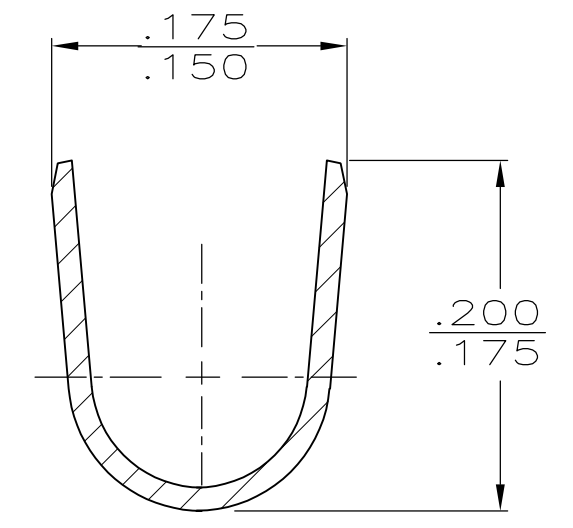
- 1 CONTINUOUS STRIP ON REELS
- 2 MATING TAB THK IS .020±.001
- 3 WIRE SIZE IS #20-#16 AWG
- 4 INSULATION RANGE IS .090-.130 DIA
- 5 60214-3 REFERS TO 60214-1 WITH PAPER INTERLAYER.



VIEW A-A
SCALE 8:1



SECTION B-B
SCALE 8:1



SECTION C-C
SCALE 8:1

-	BRASS	5 60214-3
TIN	BRASS	60214-2
-	BRASS	60214-1
FINISH	MATERIAL	PART NO.

THIS DRAWING IS A CONTROLLED DOCUMENT.		DWN	JR RUTH	10/27/89	STE TE Connectivity
DIMENSIONS: INCHES		CHK	MS FEHER	10/27/89	
TOLERANCES UNLESS OTHERWISE SPECIFIED:		APVD	C MEYERS	10/27/89	
0 PLC ± - 1 PLC ± - 2 PLC ± - 3 PLC ± .015 4 PLC ± - ANGLES ± -		PRODUCT SPEC		NAME	
MATERIAL	SEE TABLE	FINISH		SEE TABLE	RECEPTACLE, FASTON, .187 SERIES
MATERIAL		FINISH		SEE TABLE	SIZE
SEE TABLE		SEE TABLE		CUSTOMER DRAWING	A3
				WEIGHT	-
				CAGE CODE	00779
				DRAWING NO	C-60214
				RESTRICTED TO	-
				SCALE	6:1
				SHEET	1 OF 1
				REV	Y2